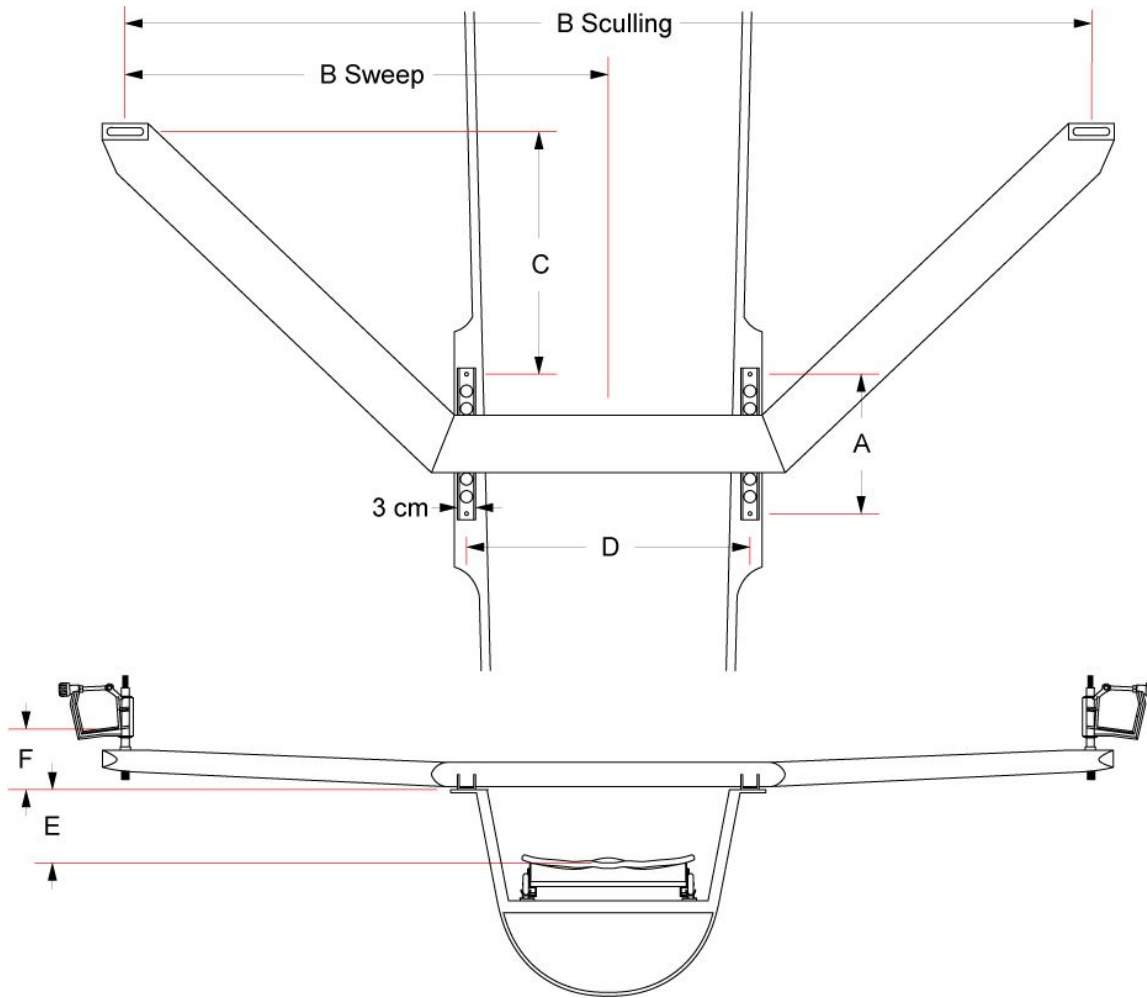


# Aluminum Wing Rigger Ordering Guide



<b>Rower/Team Name:</b> _____	<b>Order Date:</b> _____
<b>Avg. Crew Weight (Kg):</b> _____	<b>Boat Type:</b> _____
<b>Boat serial Number</b> _____	
<b>A (bolt-bolt)</b> _____ <b>cm</b>	<b>D, 1 seat (bolt-bolt)</b> _____ <b>cm</b>
<b>B Scull (avg. span, +/-4.5cm)</b> _____ <b>cm</b>	<b>D, 2 (bolt-bolt)</b> _____ <b>cm</b>
<b>B Sweep (avg. spread, +/-2.5cm)</b> _____ <b>cm</b>	<b>D, 3 (bolt-bolt)</b> _____ <b>cm</b>
<b>C (pin-bow bolt)</b> _____ <b>cm</b>	<b>D, 4 (bolt-bolt)</b> _____ <b>cm</b>
<b>E (seat top-flange)</b> _____ <b>cm</b>	<b>D, 5 (bolt-bolt)</b> _____ <b>cm</b>
<b>F (flange-oarlock height)</b> _____ <b>cm</b>	<b>D, 6 (bolt-bolt)</b> _____ <b>cm</b>
<b>F is measured to the bottom inside of the oarlock</b>	<b>D, 7 (bolt-bolt)</b> _____ <b>cm</b>
<b>at the desired avg. height.</b>	<b>D, 8 (bolt-bolt)</b> _____ <b>cm</b>